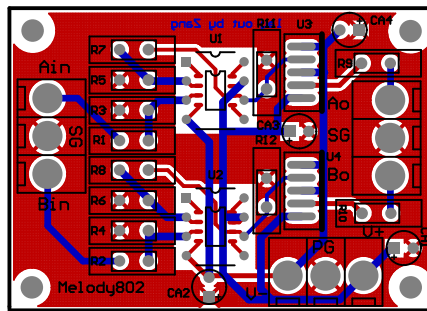


← 55.5 (mm) →



↑
(mm)
40
↓